

EH-22

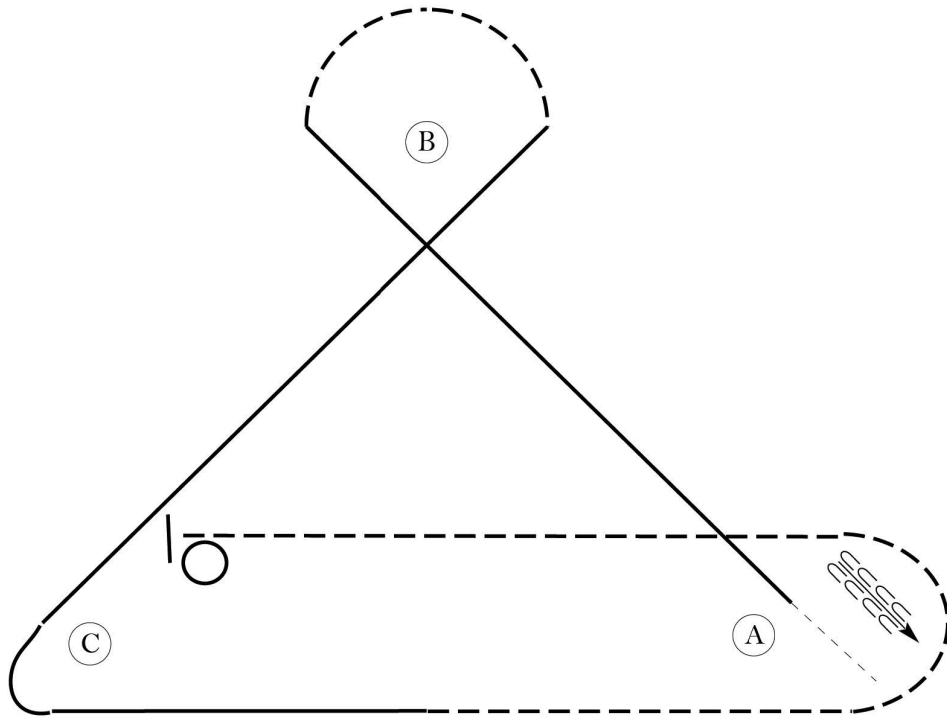
Montana State 4-H Horse Patterns

English Horsemanship (Level 4)

Show Date:

w w w . H o r s e S h o w P a t t e r n s . c o m

w w w . H o r s e S h o w P a t t e r n s . c o m



Be ready at A.

1. Back approximately two horse lengths then walk to A.
2. Canter on the right lead to B.
3. At B, posting trot around B in the left diagonal.
4. At B, canter on the left lead to and around C and continue towards A.
5. Halfway to A, posting trot on the right diagonal to and around A and continue towards C.
6. Halfway to C, sit the trot.
7. Stop at C.
8. Perform a 360 degree pivot on the forehand (either direction).

Walk	-----
Trot	- - - - -
Extended Trot	— — — — —
Canter	—————
Leg Yield	
Lead Change	— / —
Back	← ← ← ← ←
Marker	Ⓚ
Sidepass	← ← ← ← ←
Hand Gallop	— — — — —

[2015HSE/HSE%202_4_NEW]

Pattern Provided by:

Montana 4-H State Horse Committee