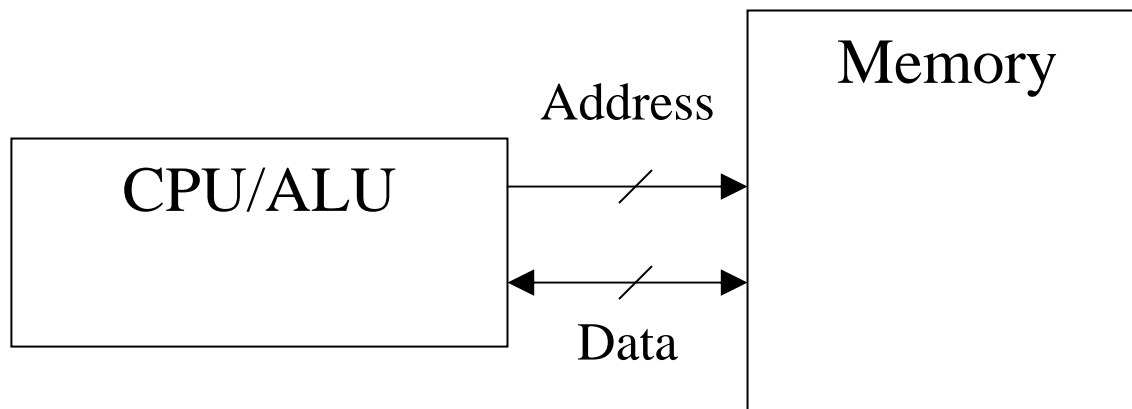


A Short Introduction to DSP Microprocessor Architecture

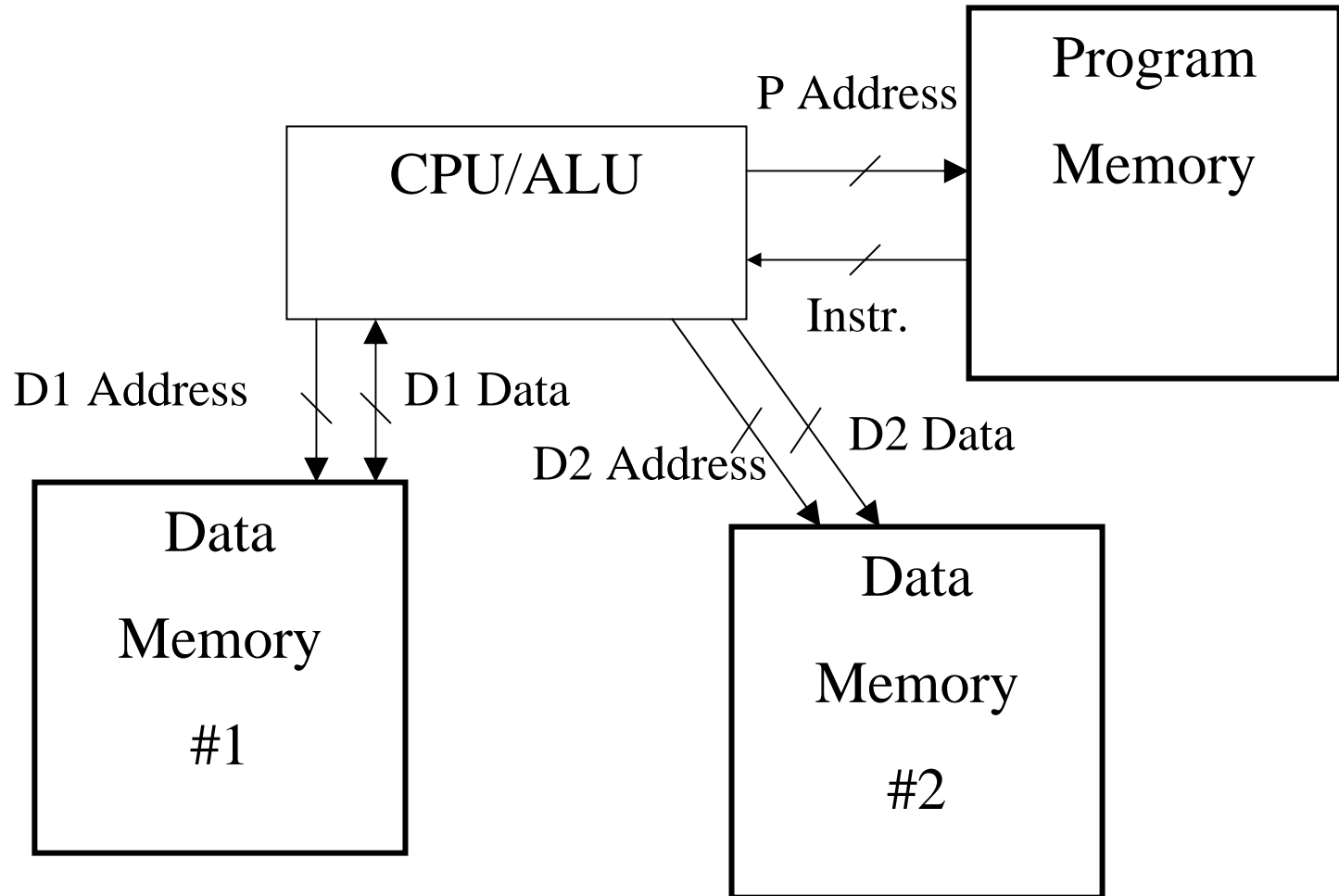
What makes a DSP chip a DSP?

- Conventional microprocessors use the Von Neumann architecture: program and data all in a single memory. Address and data buses are *shared* between instruction and data fetches.



- Von Neumann architecture is inexpensive, simple, and effective, BUT there are performance problems:
 - Von Neumann “bottleneck”: fetch for next instruction collides with data fetch/store
 - Buses may be idle during instruction decode
 - DSP algorithms often have “multiply-accumulate” requirements: $\text{coef}[n] * \text{data}[n]$, where two operands must be fetched
- Most DSP chips use Harvard architecture: separate memory space(s) for program and data

Harvard Architecture

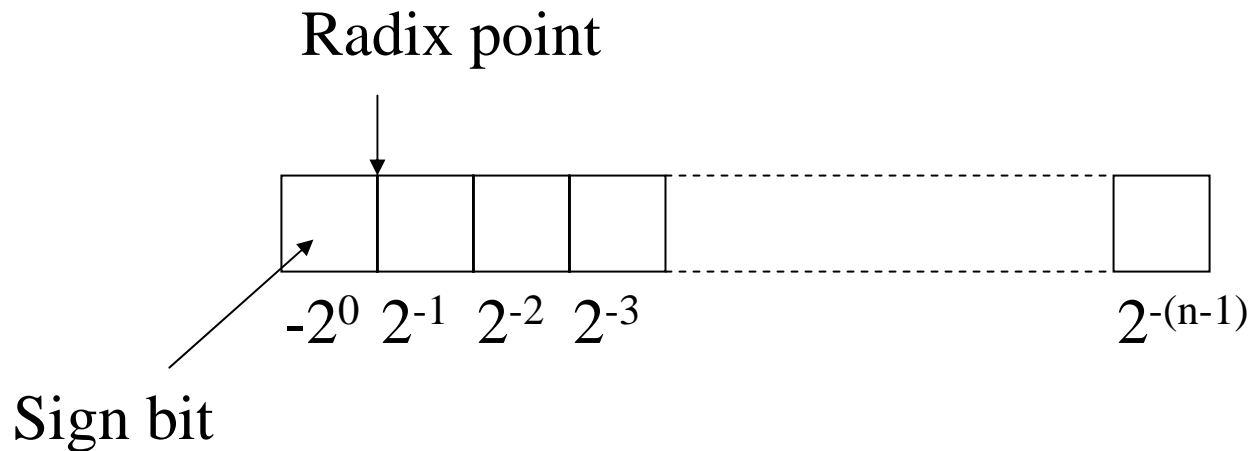


DSP Architectural Features

- ALU typically centered around Multiply-Accumulate (MAC) structure with large accumulator
 - Digital filters require accumulated sum-of-products
- Multiple address generators to handle separate memory spaces
 - Address units handle modulo buffer arithmetic

DSP Data Representation

- Numerical values represented as *binary fractions*: $-1.0 \leq \text{value} < 1.0$

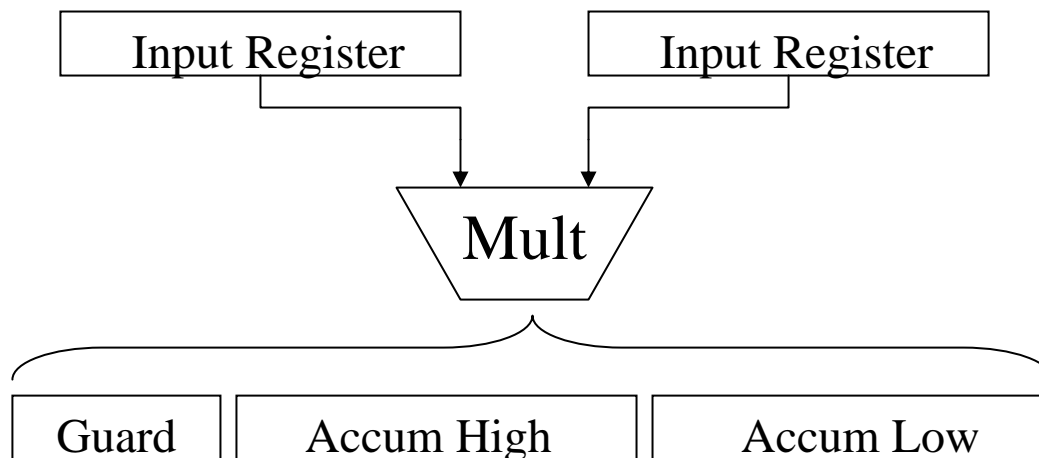


Why a fractional representation?

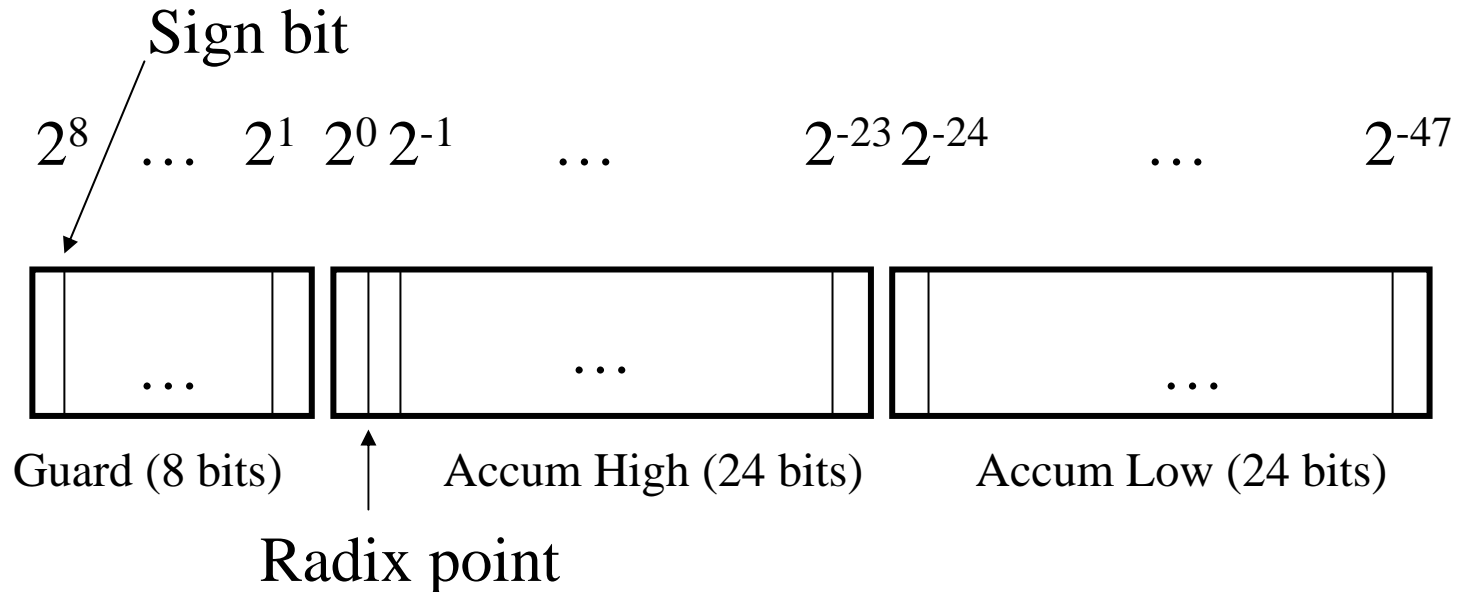
- The product of two fractional numbers is also a fractional number
- Normalized representation is convenient
- Coefficients from digital filter designs are typically already in fractional form

DSP Architecture: Accumulator

- Accumulator register holds intermediate results (n-bit number x n-bit number yields 2n-1 bit number)
- Accumulator typically has extra “guard bits” or “extension register” for overflow



Accumulator Example



Motorola 56xxx has two 56-bit accumulators
(48-bit result with 8 guard bits)

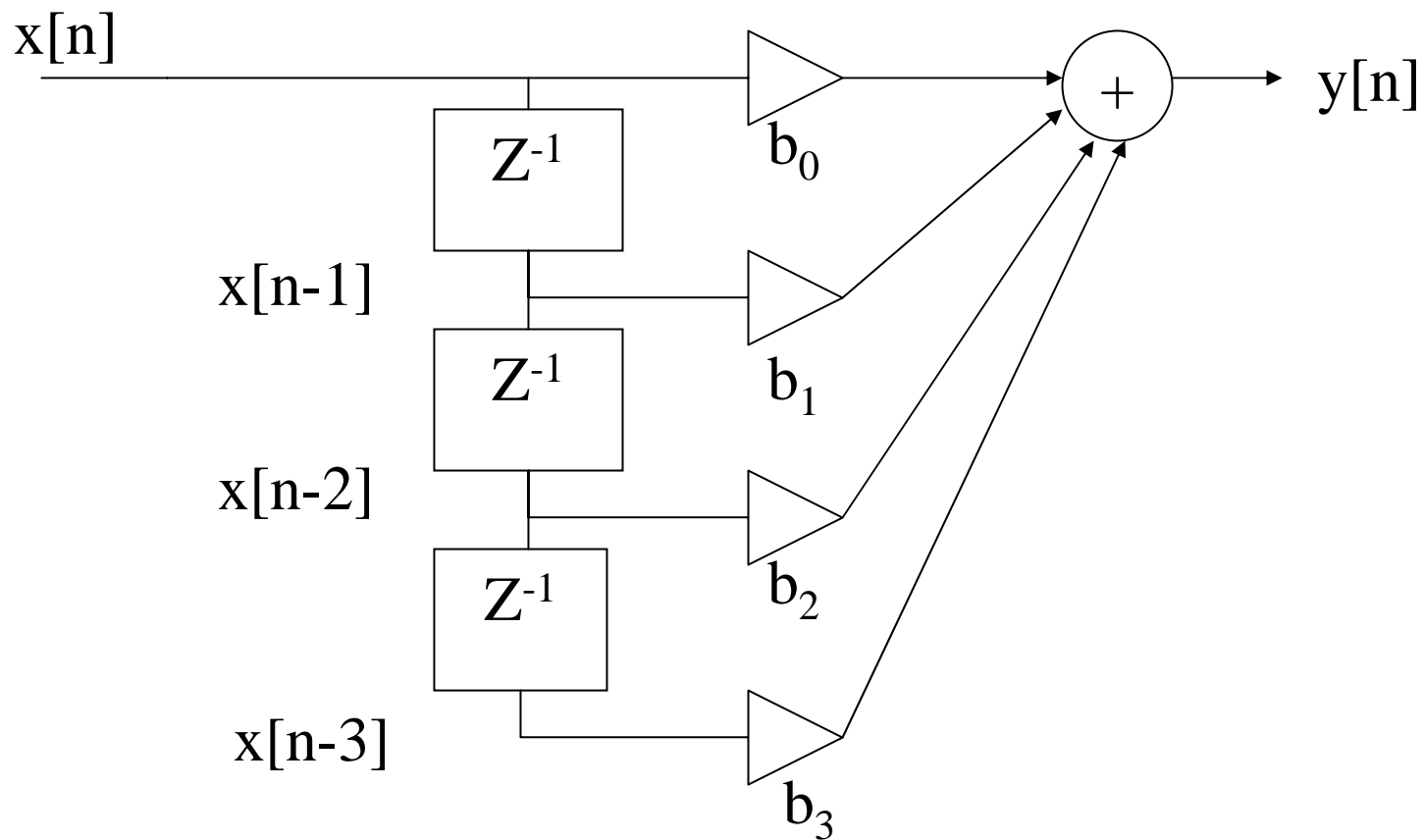
Digital Filter Example

- Simple FIR filter is given by

$$y[n] = \sum_{i=0}^{N-1} b_i \cdot x[n-i]$$

- Current output is *sum* of product of *coefficients* and *past input* values.

Filter example (cont.)



Filter example (cont.)

- Procedure:
 - Clear accumulator
 - Fetch coefficient and data
 - MAC
 - Repeat fetch & MAC until done

DSP Support for Parallel Moves

- Need to fetch next coefficient and next stored value at each step in the filter
- DSPs generally support a *parallel move* or *fetch* operation while MAC is computed
- This design avoids idle ALU and data buses

Ex:

```
mac x0 , y0 , a      x : ( r0 ) + , x0      y : ( r4 ) + , y0
```

Summary

- DSP chips use the Harvard architecture: separate program and data memory spaces
- ALU is centered around the multiply-accumulate (MAC) function
- DSPs typically use a fractional number representation
- Address computation generally supports modulo buffer address arithmetic
- DSPs avoid idle cycles by allowing parallel actions